

chalet



902 10 44 13

www.amgservicios.com / amg@amgservicios.com

Chalet 6x6m

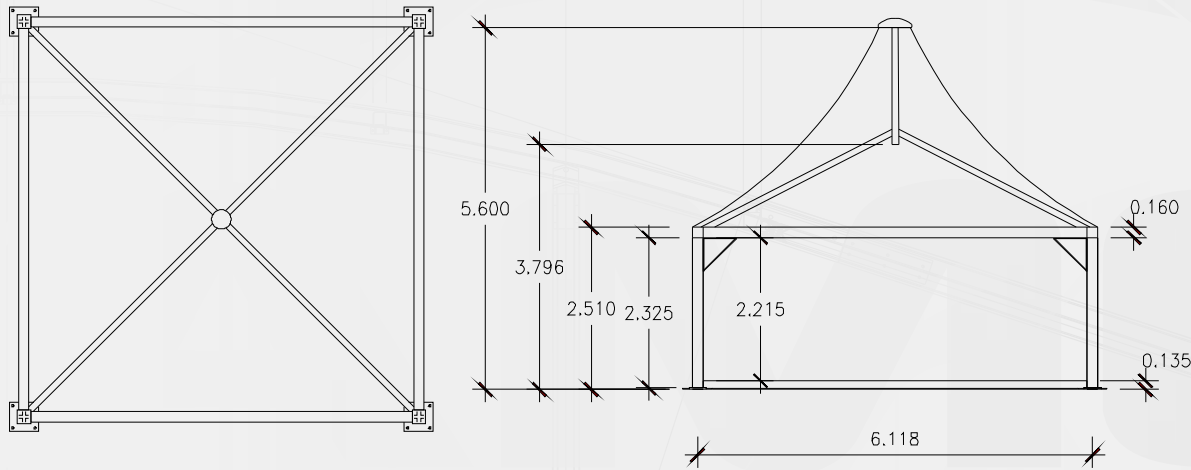


902 10 44 13

amgservicios.com / amg@amgservicios.com

Chalet 6x6m

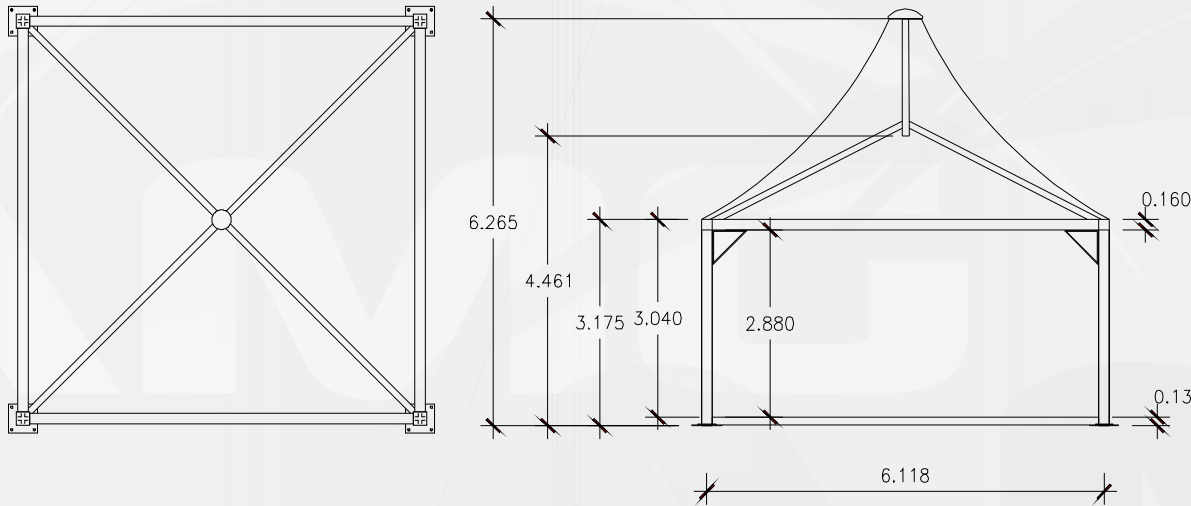
Chalet 6 x 6 pilar 2.51 m.



Chalet 6x6m / 2.51m pilar		
SIDE PANELS	ROOF COVERS	GABLE FABRIC
White	White/ opaque (light-proof)	White/ opaque (light-proof)
White	White	White
If requested, the bearing capacity of the floor can be increased (plate floor 800/ 1000 kg and cassette floor 600/ 700 kg)		

Structures available	With and without system floor	TECHNICAL SPECIFICATIONS	
Maximum bearing capacity, floor	500kg/m ²		
Connection with other AMG structures	Yes	Side wall height	2.510m
Connection to buildings	Yes	Overall height	5.600m
Awning available	Yes	Wind load	0,50KN/m ²
Wall lining/swags and pelmets available	Yes	Snow load	0KN/m ²
Optional replacement of wall bracing	Yes	Truss profile	160*160mm
Installation options for:		Roof tensioning system	Unique roll-up system
- Luxury synthetic door	Yes	Roof overhang	No
- Luxury pushbar/glass door	Yes	Performance calculations	Yes
- Smoked glass windows/ doors	Yes	German T.U.V. assessor	Yes
- Locking door	Yes	Valid assembly manual	Yes
- Emergency door	Yes		

Chalet 6 x 6 pilar 3.00 m.



Chalet 6x6m / 3m pilar		
SIDE PANELS	ROOF COVERS	GABLE FABRIC
White	White/ opaque (light-proof)	White/ opaque (light-proof)
White	White	White
If requested, the bearing capacity of the floor can be increased (plate floor 800/ 1000 kg and cassette floor 600/ 700 kg)		

Structures available	With and without system floor	TECHNICAL SPECIFICATIONS	
Maximum bearing capacity, floor	500kg/m ²		
Connection with other AMG structures	Yes	Side wall height	3.040m
Connection to buildings	Yes	Overall height	6.265m
Awning available	Yes	Wind load	0,50KN/m ²
Wall lining/swags and pelmets available	Yes	Snow load	0KN/m ²
Optional replacement of wall bracing	Yes	Truss profile	160*160mm
Installation options for:		Roof tensioning system	Unique roll-up system
- Luxury synthetic door	Yes	Roof overhang	No
- Luxury pushbar/glass door	Yes	Performance calculations	Yes
- Smoked glass windows/ doors	Yes	German T.U.V. assessor	Yes
- Locking door	Yes	Valid assembly manual	Yes
- Emergency door	Yes		



902 10 44 13

amgservicios.com / amg@amgservicios.com

Chalet 8x8m



902 10 44 13

www.amgservicios.com / amg@amgservicios.com

Chalet 8x8m

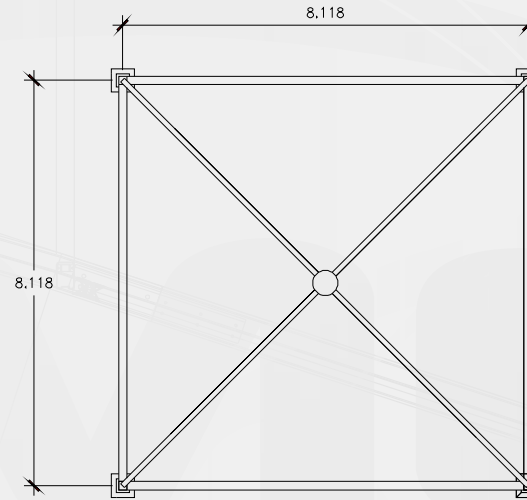
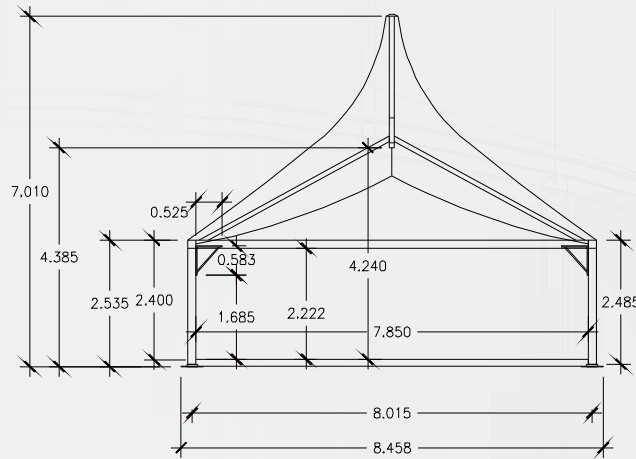


902 10 44 13

www.amgservicios.com / amg@amgservicios.com

Chalet 8x8m

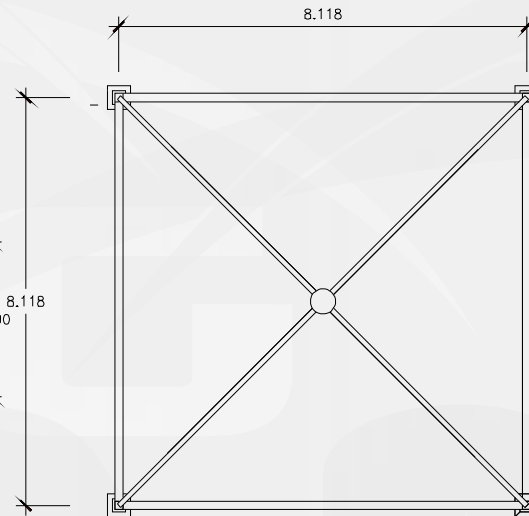
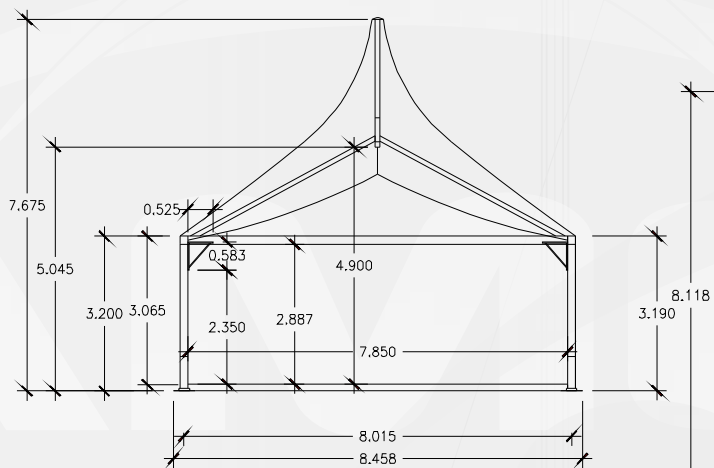
Chalet 8 x 8 pilar 2.51 m.



Chalet 8x8m / 2.5m pilar		
SIDE PANELS	ROOF COVERS	GABLE FABRIC
White	White/ opaque (light-proof)	White/ opaque (light-proof)
White	White	White
If requested, the bearing capacity of the floor can be increased (plate floor 800/ 1000 kg and cassette floor 600/ 700 kg)		

Structures available	With and without system floor	TECHNICAL SPECIFICATIONS	
Maximum bearing capacity, floor	500kg/m ²		
Connection with other AMG structures	Yes	Side wall height	2.510m
Connection to buildings	Yes	Overall height	7.010m
Awning available	Yes	Wind load	0.50KN/m ²
Wall lining/swags and pelmets available	Yes	Snow load	0KN/m ²
Optional replacement of wall bracing	Yes	Truss profile	160*160mm
Installation options for:		Roof tensioning system	Unique roll-up system
- Luxury synthetic door	Yes	Roof overhang	No
- Luxury pushbar/glass door	Yes	Performance calculations	Yes
- Smoked glass windows/ doors	Yes	German T.U.V. assessor	Yes
- Locking door	Yes	Valid assembly manual	Yes
- Emergency door	Yes		

Chalet 8 x 8 pilar 3 m.



Chalet 8x8m / 3m pilar		
SIDE PANELS	ROOF COVERS	GABLE FABRIC
White	White/ opaque (light-proof)	White/ opaque (light-proof)
White	White	White
If requested, the bearing capacity of the floor can be increased (plate floor 800/ 1000 kg and cassette floor 600/ 700 kg)		

Structures available	With and without system floor	TECHNICAL SPECIFICATIONS	
Maximum bearing capacity, floor	500kg/m ²		
Connection with other AMG structures	Yes	Side wall height	3.200m
Connection to buildings	Yes	Overall height	7.675m
Awning available	Yes	Wind load	0.50KN/m ²
Wall lining/swags and pelmets available	Yes	Snow load	0KN/m ²
Optional replacement of wall bracing	Yes	Truss profile	160*160mm
Installation options for:		Roof tensioning system	Unique roll-up system
- Luxury synthetic door	Yes	Roof overhang	No
- Luxury pushbar/glass door	Yes	Performance calculations	Yes
- Smoked glass windows/ doors	Yes	German T.U.V. assessor	Yes
- Locking door	Yes	Valid assembly manual	Yes
- Emergency door	Yes		